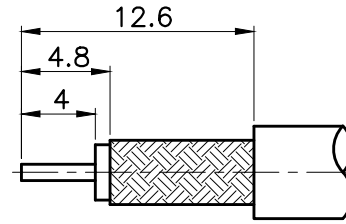


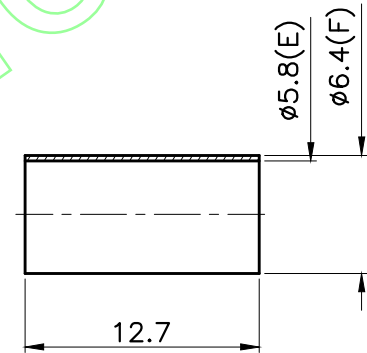
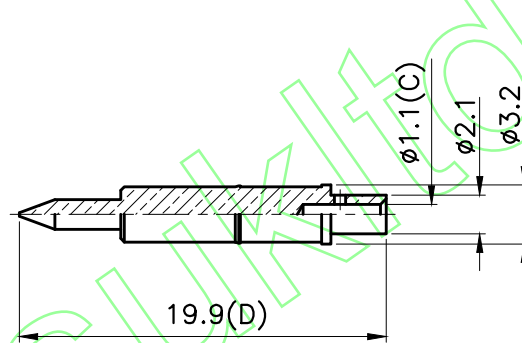
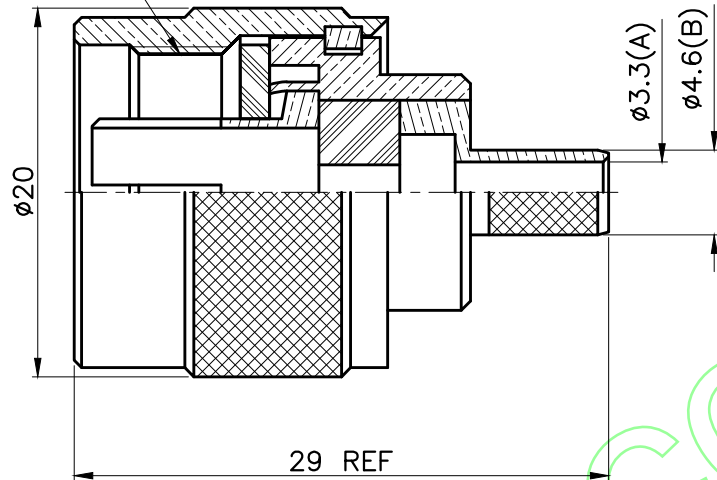
REVISIONS		
ISS	DESCRIPTION	DATE

RoHS COMPLIANT



RECOMMENDED  
CABLE STRIPPING DIM'S

5/8-24UNEF-2B



1. CRIMPED FERRULE  
HEX CRIMP SIZE .213"
2. CRIMPED CONTACT PIN  
HEX CRIMP SIZE .068"

CONNECTORS CABLES



SPECIALISTS LTD.

APRD:	UNLESS OTHERWISE SPECIFIED TOLERANCES 0.5-6 = ±0.2 >6-30 = ±0.4 >30-120 = ±0.6 >120-315 = ±1 >315-1000 = ±1.6 ANGLES = ±5°
CHKD:	
DR:	
TITLE: N MALE CRIMP (FOR RG223, RG400, RG142)	UNIT: mm
PART NO: NPCR22301	SCALE: 2.5/1
DRAWING NO:	

NO.	DESCRIPTION	MATERIAL	FINISH
	FERRULE	BRASS	NICKEL
	CONTACT PIN	BRASS	GOLD
	SHELL	BRASS	NICKEL
	C RING	BRASS	NONE
	GASKET	RUBBER	RED
	BODY	BRASS	NICKEL
	BODY	BRASS	NICKEL
	INSULATOR	TEFLON	WHITE
	BODY	BRASS	NICKEL